

## Eco-Pole - Freestanding/Bollard Ashtray Installation and Maintenance Info

Thank you for purchasing a No BuTTs Eco-Pole Ashtray and allowing us to assist you with your requirements. Eco-Pole installation is very straight-forward but to avoid any problems, **please read the instructions fully before you start.**

If you require additional assistance please call (+61 3) 9399 8133.

**Please Note:** All Eco-Pole Ashtrays and accessories are completely weather resistant and rust & corrosion proof and can be positioned anywhere, either undercover or exposed to the elements.

### Installation:

Eco-Pole Ashtrays are normally installed outside building entrances and verandas, etc - or in designated smoking zones where smokers can smoke and then dispose of their cigarette butts appropriately.

### Deployment Options:

**Portable Mode:** with Doughnut Weight Bag

Installation Pack includes: 1 x key, 1 x Doughnut Weight Bag

**Permanent Mode:** with Dynabolts\*

Installation Pack includes: 1 x key, 3 x security dynabolts, 1 x tightening spanner

\* **Tools Required:** drill, marking pencil.

### Optional Crowd Control Rope Barrier Ring:

Place the included Cable-Tie around the Eco-Pole at your preferred level and slide the Crowd Control Ring over the top of the unit and allow the CCR to sit above it. This will prevent ring slippage.

When deploying your Eco-Pole Ashtray it is suggested that the surrounding area be thoroughly cleaned of all cigarette butts. Smokers will easily notice that there is an Eco-Pole provided for their use.

A suitable corporate notice or sign can be placed nearby to advise staff and the public that the Eco-Pole Ashtray has been installed for their convenience and to protect the environment from toxic and unsightly cigarette butt litter. Appropriate signage can be obtained from No BuTTs and corporate logo'd signs with specific information can also be ordered.

### Maintenance:

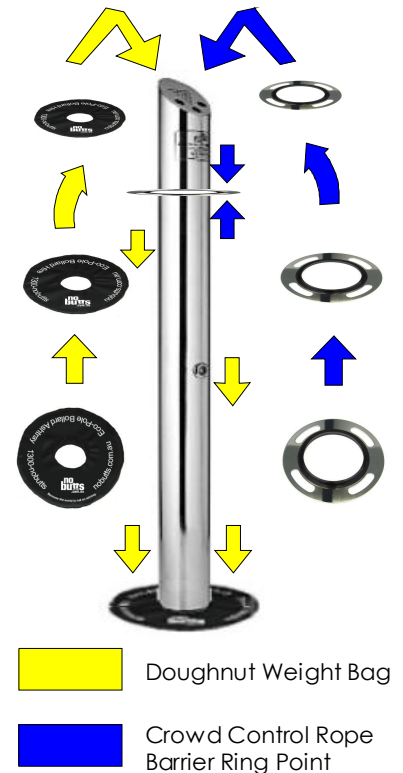
Eco-Pole Ashtrays are designed for cigarette butts only and therefore have 3 small entry points which eliminates virtually any trash problems or risk of sharps.

Your Eco-Pole Ashtray **MUST be emptied and cleaned on a regular basis** by staff or contract cleaners at least weekly - or as needed to prevent overflow. Eco-Pole capacity = 500+ butts.

To empty and clean your Eco-Pole Ashtray simply unlock with the key and lift the top section up and out of the lower section. Hold the upper section over a bucket or bag and simply turn the inner trap-door handle. The door opens out to minimise any contact with butts by maintenance staff. Replace the upper section back into the Eco-Pole - making sure that the insert is correctly aligned with the lower section - and relock the Eco-Pole. It's that simple!

It is recommended that the key be given to your cleaner with a copy of these instructions. All Eco-Pole Ashtrays use the same key so if you have ordered multiple Eco-Poles, you'll have spare keys. **For single unit installations we strongly recommend the purchase of a spare key set (2 x keys).** Please don't lose your key!!! However if you do, spare key sets are always available from No BuTTs.

All No BuTTs Ashtrays and their accessories are available on our fully secure e-commerce web-site at [www.nobutts.com.au](http://www.nobutts.com.au) Thanks again for choosing No BuTTs Eco-Pole Ashtrays.



## Emptying Procedure:

1. Unlock Eco-Pole Ashtray
2. Lift upper section up and out of lower section
3. Turn handle and open trap-door. Trap-door opens out
4. Empty contents into rubbish bag, bucket or bin
5. Close and lock trap-door
6. Align upper and lower sections and slide upper section back down into lower section
7. Re-lock Eco-Pole Ashtray

1. Assembled



2. Separated for emptying



3. Inner Trap-door



4. Key Unlock / Relock



## Options and Accessories

### Portable 5kg Doughnut Weight-Bag

- Allows use in Portable Mode
- Safe & stable use on any surface
- Printed one side/ plain other side
- All weather construction
- Price \$69.95 ea



### Retro Reflective Safety Banding

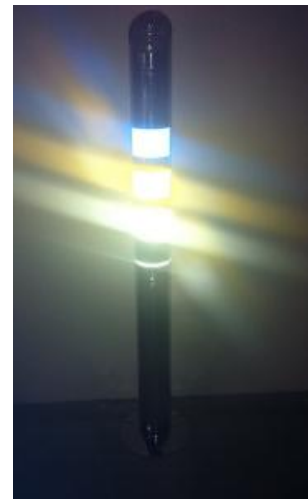
- Increases visibility by over 500%
- Assists smokers to locate ashtray
- Helps prevent vehicular collisions in carparks
- Available in Silver, Blue & Yellow. All colours are Retro-Reflective
- Price \$25.95 per band



Day



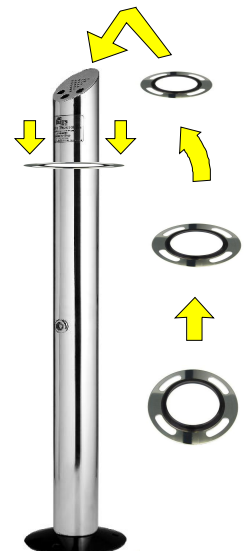
Dusk



Night

### Crowd Control Rope Barrier Point

- **A world first and exclusive to No BuTTs!**
- Combines Freestanding Ashtray with crowd control rope barrier
- Perfect for line-up & entrance areas at venues
- Creates Temporary Designated Smoking Zones
- Slide on / slide off design
- Price \$49.95 ea



Postage & GST are additional